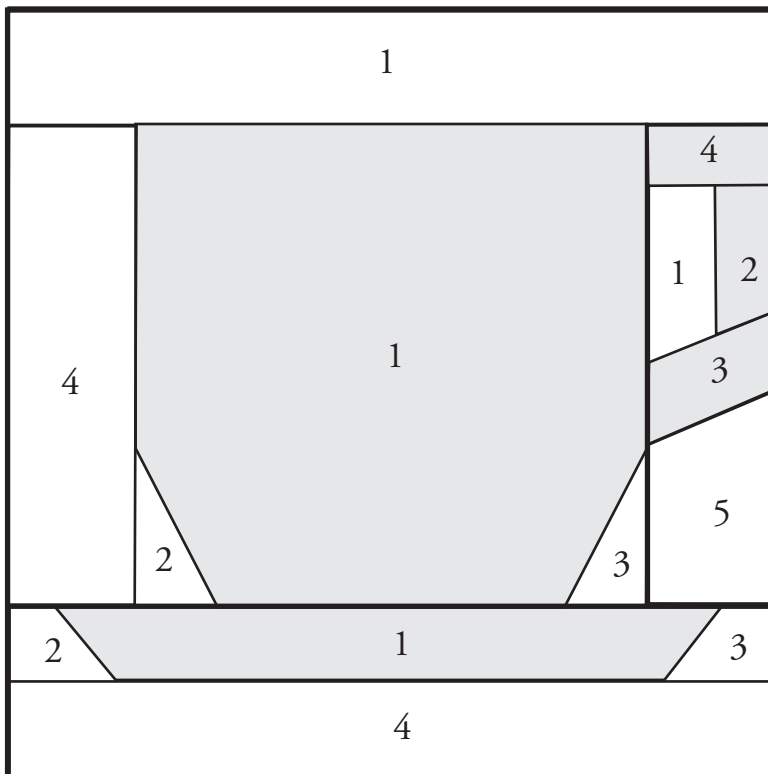
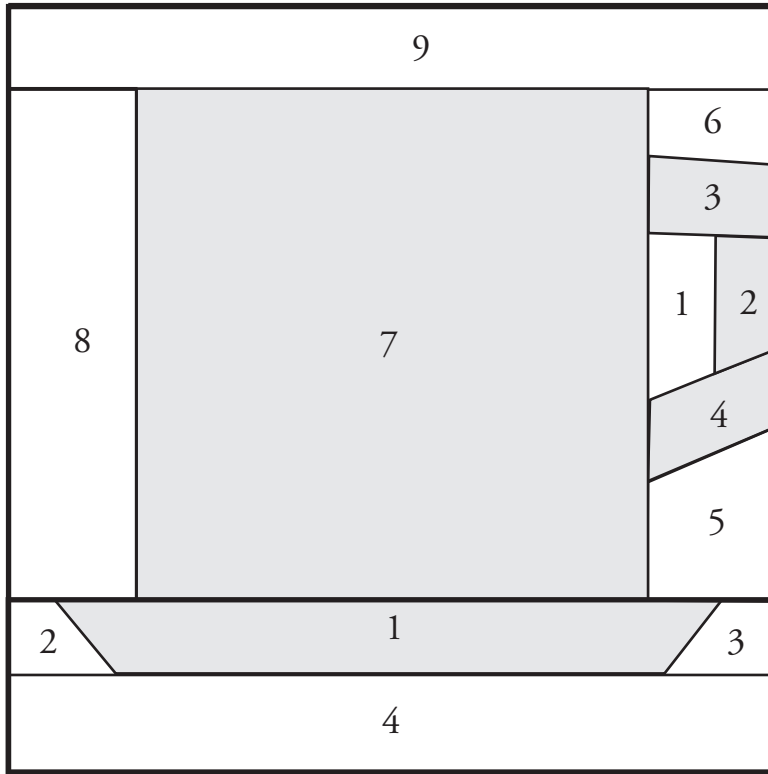


# Cups & Saucers

A Web Extra from Quilter's Newsletter Magazine

<http://www.quiltersnewsletter.com>

Designed by Mary Leman Austin



Time for tea? Foundation-piece these pretty “Cups and Saucers” in your favorite kitchen colors—or in any hue! Whether you like coffee, tea, or cocoa in your cup, you’ll love these little blocks! Plus, we’ve included an extra set of spoons just to stir things up!



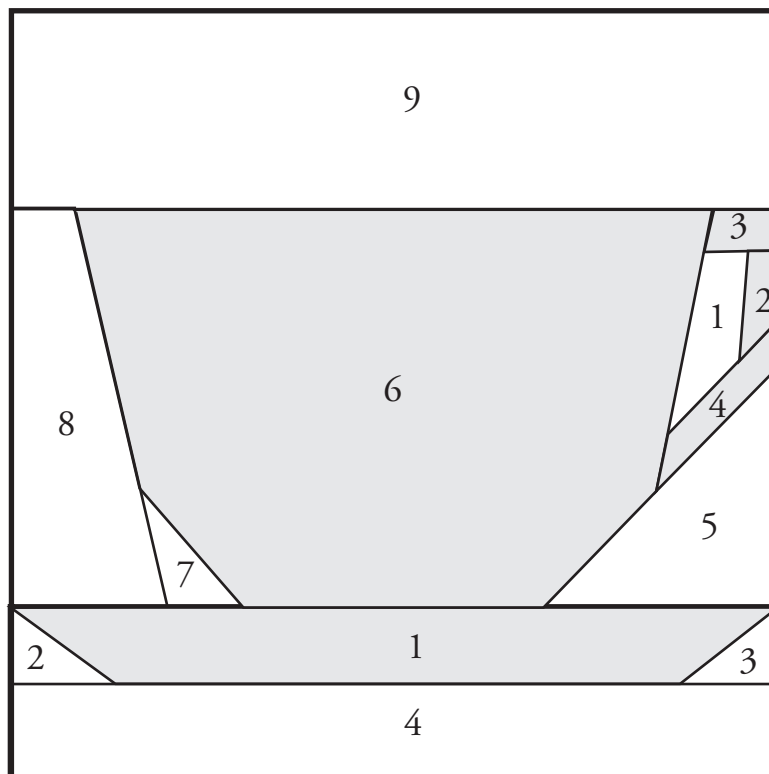
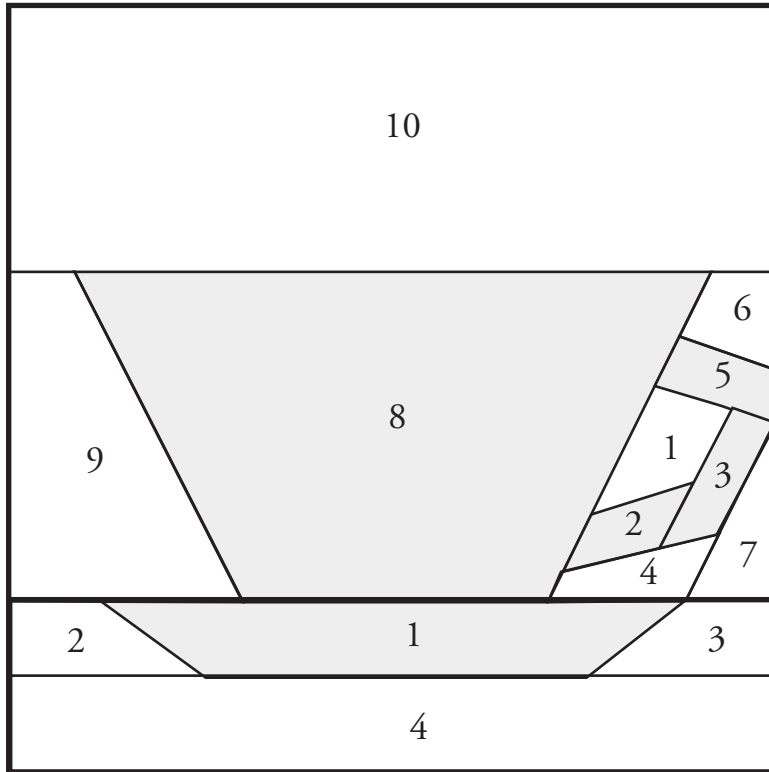
Copyright © 2001  
Primedia Inc.  
All rights reserved.

# Cups & Saucers

A Web Extra from Quilter's Newsletter Magazine

<http://www.quiltersnewsletter.com>

Designed by Mary Leman Austin



Time for tea? Foundation-piece these pretty “Cups and Saucers” in your favorite kitchen colors—or in any hue! Whether you like coffee, tea, or cocoa in your cup, you’ll love these little blocks! Plus, we’ve included an extra set of spoons just to stir things up!



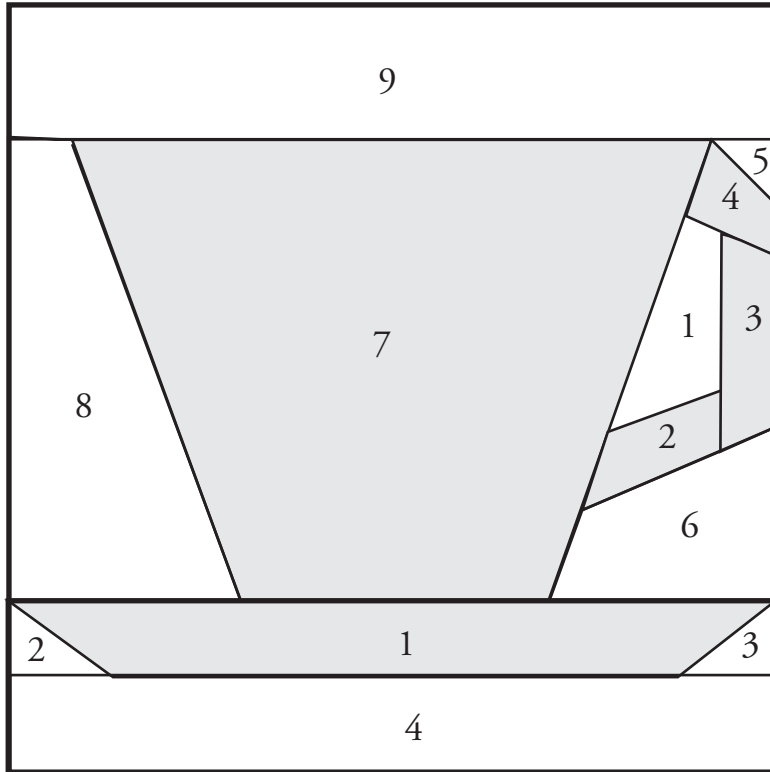
Copyright © 2001  
Primedia Inc.  
All rights reserved.

# Cups & Saucers

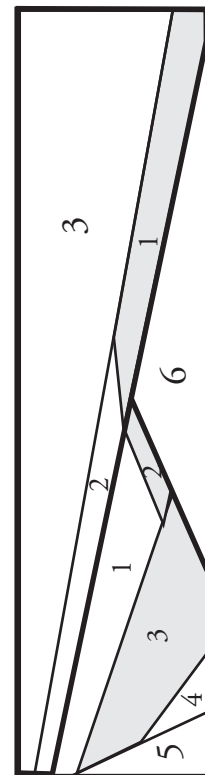
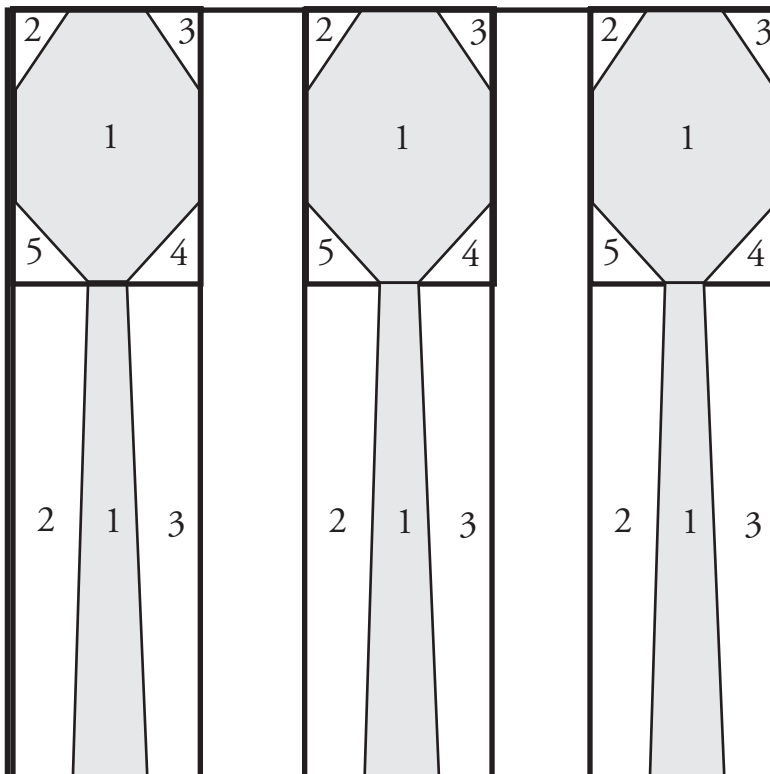
A Web Extra from Quilter's Newsletter Magazine

<http://www.quiltersnewsletter.com>

Designed by Mary Lemman Austin



Time for tea? Foundation-piece these pretty “Cups and Saucers” in your favorite kitchen colors—or in any hue! Whether you like coffee, tea, or cocoa in your cup, you’ll love these little blocks! Plus, we’ve included an extra set of spoons just to stir things up!



Copyright © 2001  
Primedia Inc.  
All rights reserved.